

Max Actuation Pressure 90psi

CV Value 1" = 60 1.25" = 85

Available Sleeve Materials:

- Buna
- EPDM 30
- EPDM 60
- Silicone 120 -Gray
- Silicone 135 -Blue
- Silicone 160 -Black
- NSF51 Silicone
- Neoprene
- Natural Rubber -Black
- Natural Rubber -White
- Viton

1/4" NPT or BSP
Actuation Port

(5.76)

(ϕ 3.45)

1", 1.25" NPT or BSP
Media Inlet

1" or 1.25"
sleeve i.d.

SECTION G-G
SCALE 1 : 2

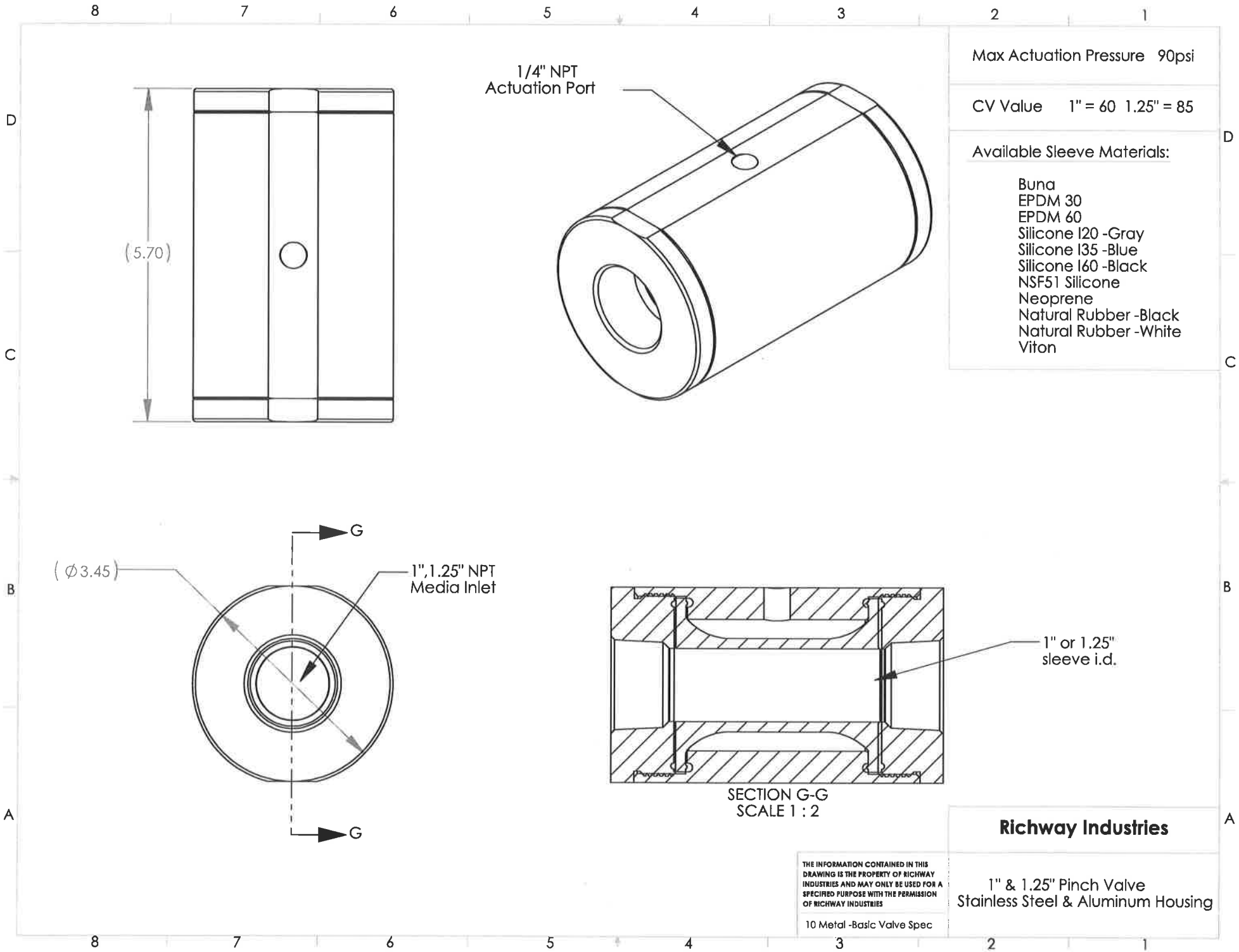
Richway Industries

1" & 1.25" Pinch Valve

Polypropylene & Nylon Housing

THE INFORMATION CONTAINED IN THIS
DRAWING IS THE PROPERTY OF RICHWAY
INDUSTRIES AND MAY ONLY BE USED FOR A
SPECIFIED PURPOSE WITH THE PERMISSION
OF RICHWAY INDUSTRIES

10 Plastic -Basic Valve Spec



Max Actuation Pressure 90psi

CV Value 1" = 60 1.25" = 85

Available Sleeve Materials:

- Buna
- EPDM 30
- EPDM 60
- Silicone I20 -Gray
- Silicone I35 -Blue
- Silicone I60 -Black
- NSF51 Silicone
- Neoprene
- Natural Rubber -Black
- Natural Rubber -White
- Viton

1", 1.25" NPT Media Inlet

SECTION G-G
SCALE 1 : 2

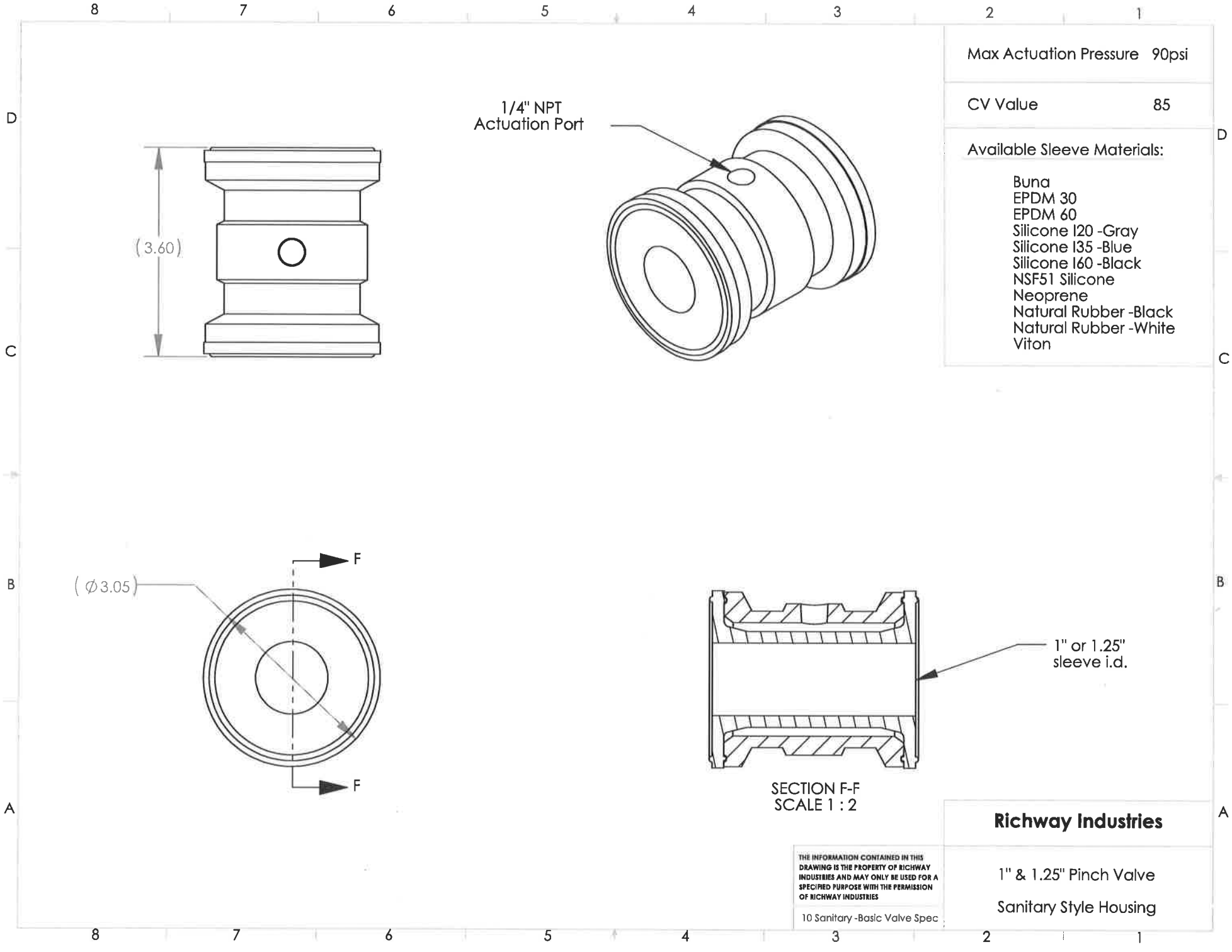
1" or 1.25" sleeve i.d.

Richway Industries

1" & 1.25" Pinch Valve
Stainless Steel & Aluminum Housing

THE INFORMATION CONTAINED IN THIS DRAWING IS THE PROPERTY OF RICHWAY INDUSTRIES AND MAY ONLY BE USED FOR A SPECIFIED PURPOSE WITH THE PERMISSION OF RICHWAY INDUSTRIES

10 Metal -Basic Valve Spec



Max Actuation Pressure 90psi

CV Value 85

- Available Sleeve Materials:
- Buna
 - EPDM 30
 - EPDM 60
 - Silicone 120 -Gray
 - Silicone 135 -Blue
 - Silicone 160 -Black
 - NSF51 Silicone
 - Neoprene
 - Natural Rubber -Black
 - Natural Rubber -White
 - Viton

1/4" NPT
Actuation Port

(3.60)

(ϕ 3.05)

1" or 1.25"
sleeve i.d.

SECTION F-F
SCALE 1 : 2

Richway Industries

1" & 1.25" Pinch Valve
Sanitary Style Housing

THE INFORMATION CONTAINED IN THIS
DRAWING IS THE PROPERTY OF RICHWAY
INDUSTRIES AND MAY ONLY BE USED FOR A
SPECIFIED PURPOSE WITH THE PERMISSION
OF RICHWAY INDUSTRIES
10 Sanitary -Basic Valve Spec