

Max Actuation Pressure 90psi

CV Value 15

Available Sleeve Materials:

- Buna
- EPDM 30
- EPDM 60
- Silicone 120 -Gray
- Silicone 135 -Blue
- Silicone 160 -Black
- NSF51 Silicone
- Neoprene
- Natural Rubber -Black
- Natural Rubber -White
- Viton

1/4" NPT or BSP
Actuation Port

(3.98)

($\varnothing 2.20$)

1/2", 3/4", 1" NPT or BSP
Media Inlet

5/8" or 3/4"
sleeve i.d.

SECTION F-F
SCALE 0.75 : 1

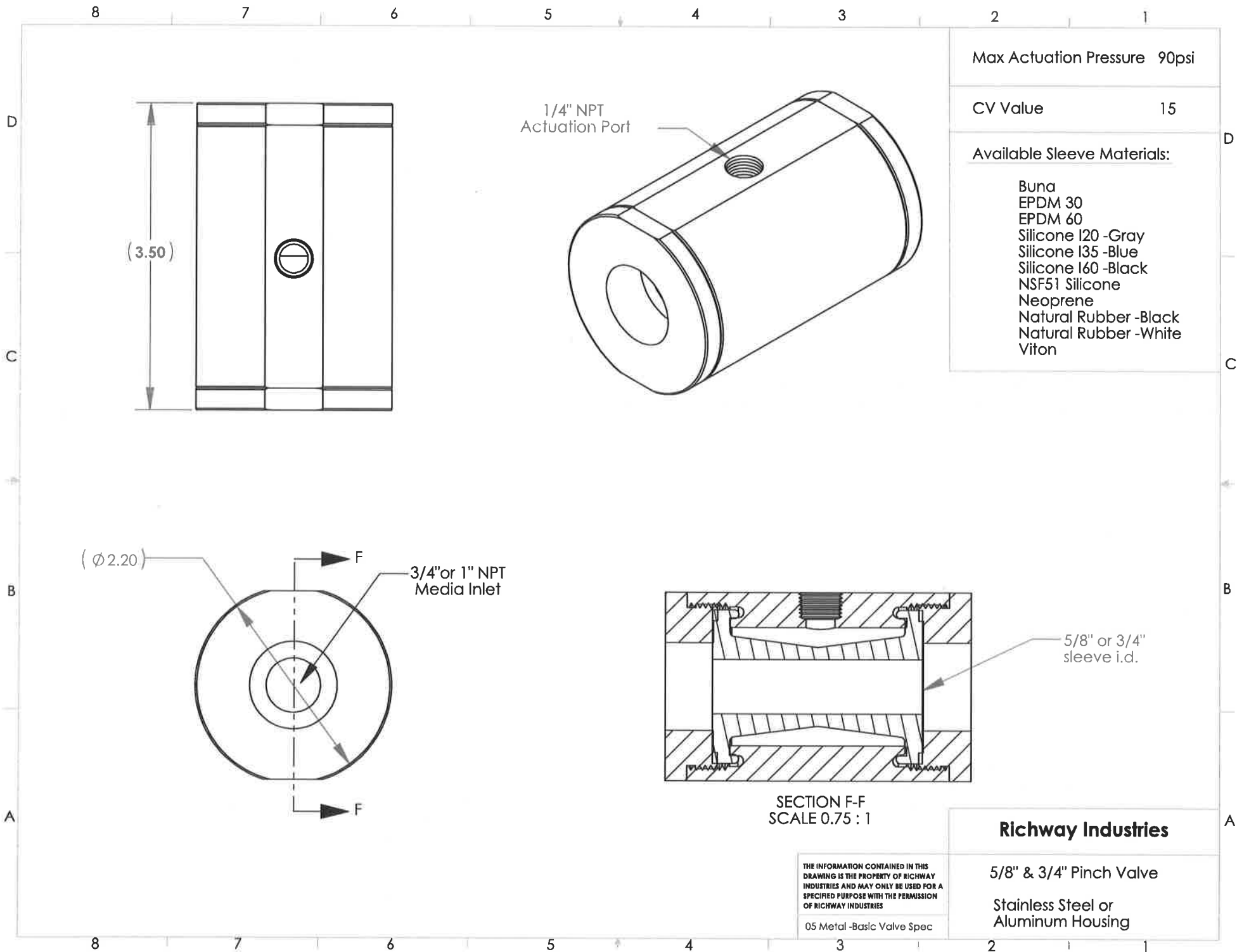
THE INFORMATION CONTAINED IN THIS
DRAWING IS THE PROPERTY OF RICHWAY
INDUSTRIES AND MAY ONLY BE USED FOR A
SPECIFIED PURPOSE WITH THE PERMISSION
OF RICHWAY INDUSTRIES

05 Plastic -Basic Valve Spec

Richway Industries

5/8" & 3/4" Pinch Valve

Polypropylene & Nylon Housing



Max Actuation Pressure 90psi

CV Value 15

Available Sleeve Materials:

- Buna
- EPDM 30
- EPDM 60
- Silicone 120 -Gray
- Silicone 135 -Blue
- Silicone 160 -Black
- NSF51 Silicone
- Neoprene
- Natural Rubber -Black
- Natural Rubber -White
- Viton

3/4" or 1" NPT
Media Inlet

5/8" or 3/4"
sleeve i.d.

SECTION F-F
SCALE 0.75 : 1

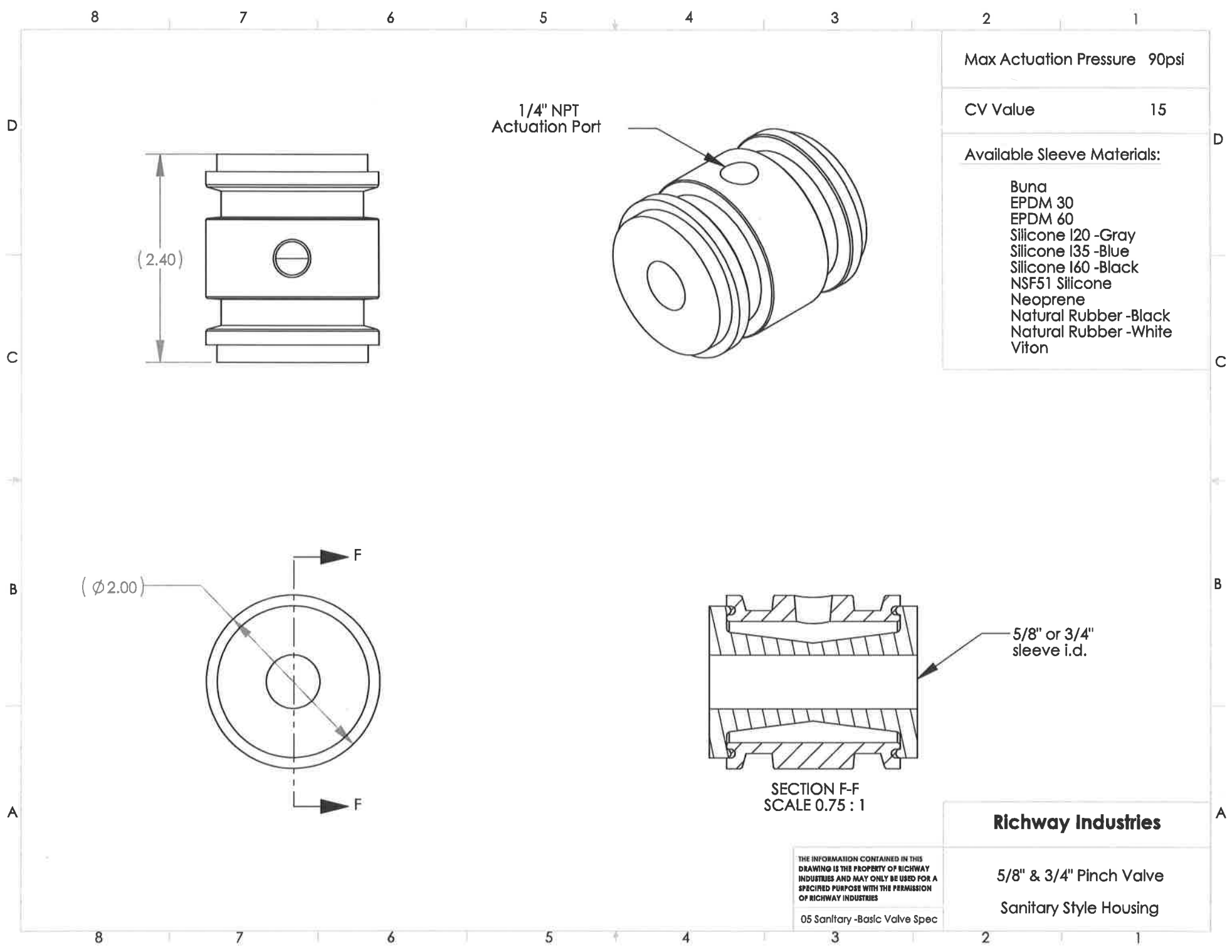
THE INFORMATION CONTAINED IN THIS
DRAWING IS THE PROPERTY OF RICHWAY
INDUSTRIES AND MAY ONLY BE USED FOR A
SPECIFIED PURPOSE WITH THE PERMISSION
OF RICHWAY INDUSTRIES

05 Metal -Basic Valve Spec

Richway Industries

5/8" & 3/4" Pinch Valve

Stainless Steel or
Aluminum Housing



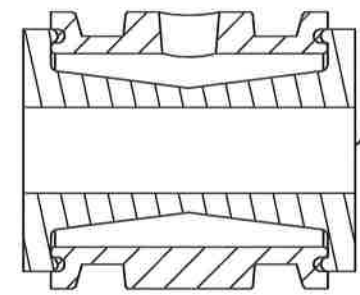
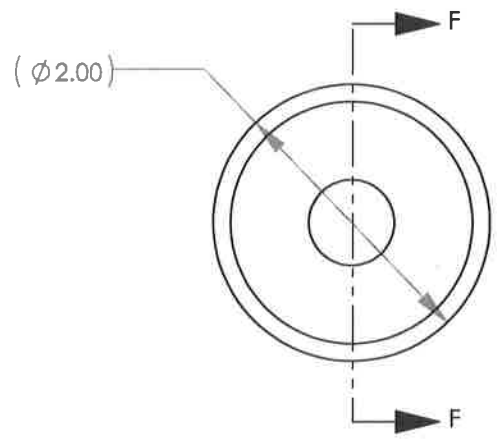
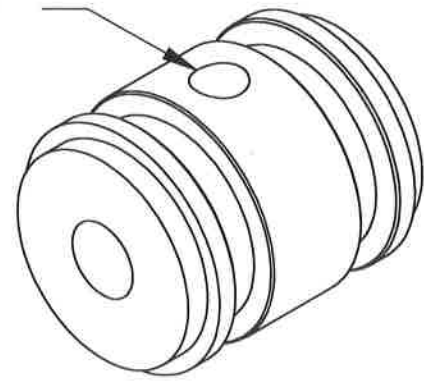
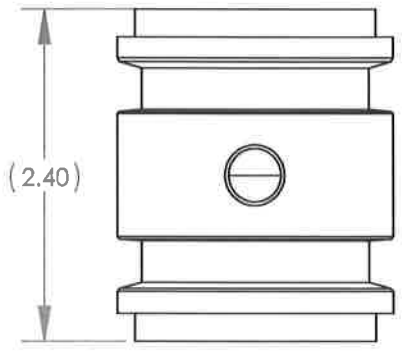
Max Actuation Pressure 90psi

CV Value 15

Available Sleeve Materials:

- Buna
- EPDM 30
- EPDM 60
- Silicone 120 -Gray
- Silicone 135 -Blue
- Silicone 160 -Black
- NSF51 Silicone
- Neoprene
- Natural Rubber -Black
- Natural Rubber -White
- Viton

1/4" NPT Actuation Port



5/8" or 3/4" sleeve i.d.

SECTION F-F
SCALE 0.75 : 1

THE INFORMATION CONTAINED IN THIS DRAWING IS THE PROPERTY OF RICHWAY INDUSTRIES AND MAY ONLY BE USED FOR A SPECIFIED PURPOSE WITH THE PERMISSION OF RICHWAY INDUSTRIES

05 Sanitary -Basic Valve Spec

Richway Industries

5/8" & 3/4" Pinch Valve
Sanitary Style Housing