

Max. Actuation Pressure 90psi

CV Value 5

Available Sleeve Materials:

- Buna
- EPDM 30
- EPDM 60
- Silicone 120 -Gray
- Silicone 135 -Blue
- Silicone 160 -Black
- NSF51 Silicone
- Neoprene
- Natural Rubber -Black
- Natural Rubber -White
- Viton

(2.86")

1/8" NPT or BSP Actuation Port

(ϕ 1.73)

1/4" or 3/8" NPT or BSP Media Inlet

3/8" sleeve I.D.

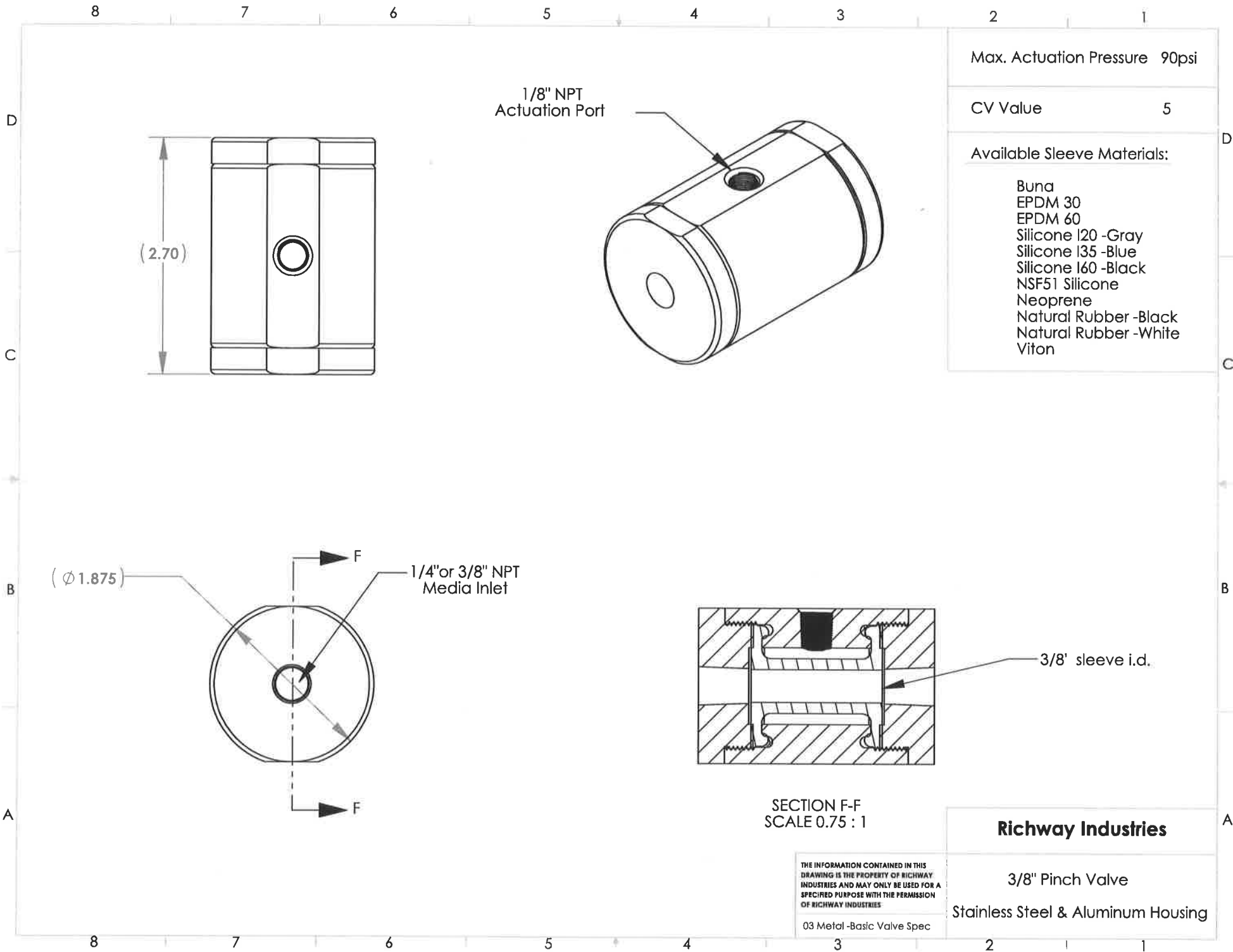
SECTION E-E
SCALE 0.75 : 1

Richway Industries

3/8" Pinch Valve
Polypropylene and Nylon Housing

THE INFORMATION CONTAINED IN THIS DRAWING IS THE PROPERTY OF RICHWAY INDUSTRIES AND MAY ONLY BE USED FOR A SPECIFIED PURPOSE WITH THE PERMISSION OF RICHWAY INDUSTRIES

03 Plastic - Basic Valve Spec



Max. Actuation Pressure 90psi

CV Value 5

Available Sleeve Materials:

- Buna
- EPDM 30
- EPDM 60
- Silicone 120 -Gray
- Silicone 135 -Blue
- Silicone 160 -Black
- NSF51 Silicone
- Neoprene
- Natural Rubber -Black
- Natural Rubber -White
- Viton

1/8" NPT Actuation Port

(2.70)

(Ø 1.875)

1/4" or 3/8" NPT Media Inlet

3/8" sleeve i.d.

SECTION F-F
SCALE 0.75 : 1

Richway Industries

3/8" Pinch Valve
Stainless Steel & Aluminum Housing

THE INFORMATION CONTAINED IN THIS DRAWING IS THE PROPERTY OF RICHWAY INDUSTRIES AND MAY ONLY BE USED FOR A SPECIFIED PURPOSE WITH THE PERMISSION OF RICHWAY INDUSTRIES

03 Metal-Basic Valve Spec