

Duckbill Check Valves

Airpinch check valves feature a “duckbill” rubber element that can provide immediate, positive closure and full flow in many applications. They are ideal for controlling air, liquid, and slurries, and are much less affected by contaminants than the disk or ball type check valves.

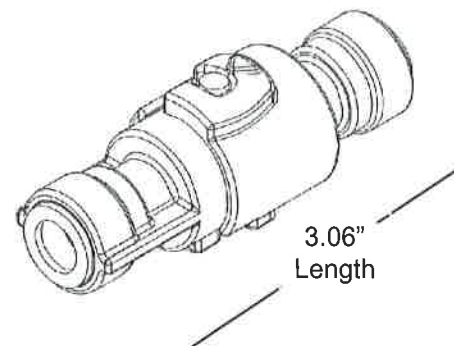
Because there are no metal parts, the valve is not subject to corrosion. Molded polypropylene or nylon housing and replaceable Buna-N (Nitrile), EPDM, and Viton rubber duckbill element. Individual duckbill elements available for custom designs.

1/4” Quick Connect Duckbill Check Valve

Description

AC - 02 - NF - B60 - 0202 - QCP
 FG E60 0303
 V65

This check valve quickly assembles and disassembles for quick servicing. Ends come with integrated quick to connect fittings for either 1/4” or 3/8” tubing. Call for additional information.



Reducing configurations are available (1/4” x 3/8”). Call for ordering information.

1/4” Duckbill Check Valves

Description

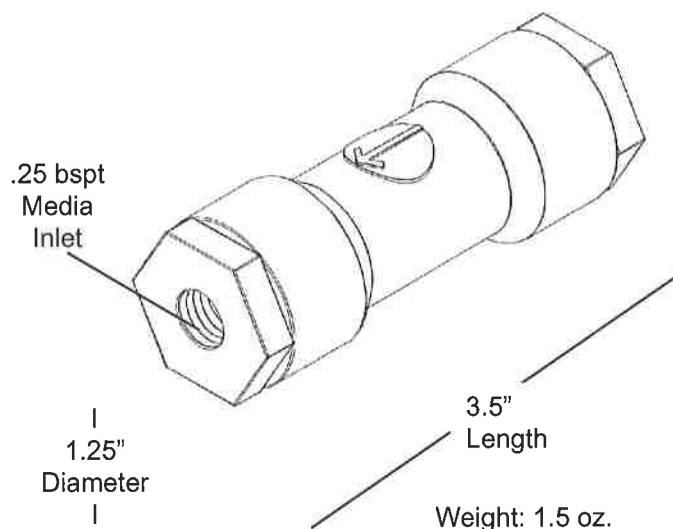
AC - 02 - NF - B60 - 0202 - N
 FG E60 0303 P
 I60
 V65

1/4” Duckbill sleeves only

Outlet (i.d.) .25”
 Inlet (i.d.) .425”
 Length 1.0625”
 Tube (o.d.) .6”
 Flange (o.d.) .85”

Specifications

Flow Max. 80 psi
 Check Max. 60 psi
 Crack psi < 1 psi
 Drop psi < 5 psi
 Cv 2



NOTE: It is the responsibility of the user to determine suitability of sleeve material for any particular control application.

5/8" Duckbill Check Valves

Description

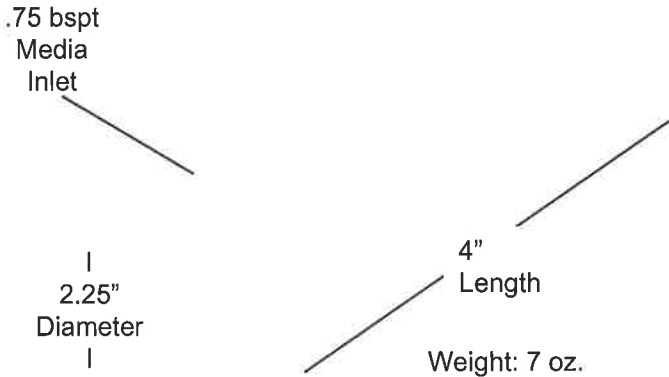
AC - 05 - NF - B60 - 0606 - N
 FG E60 0404 P
 V65

5/8" Duckbill sleeves only

Outlet (i.d.) .4375"
 Inlet (i.d.) .625"
 Length 2.125"
 Tube (o.d.) 1.0"
 Flange (o.d.) 1.745"

Specifications

Flow Max. 80 psi
 Check Max. 100 psi
 Crack psi < 1 psi
 Drop psi < 2 psi
 Cv 6



1" Duckbill Check Valves

Description

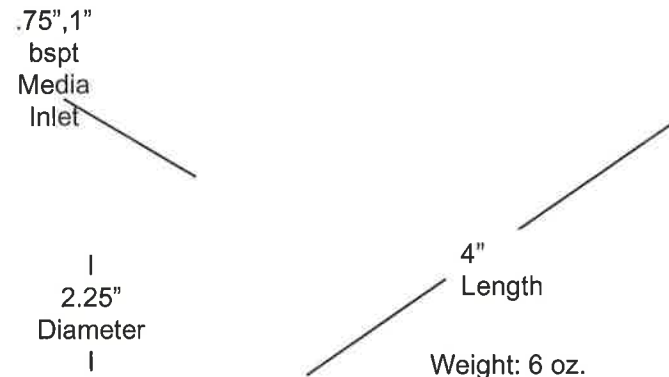
AC - 08 - NF - B60 - 0606 - N
 FG E60 0808 P
 V65

1" Duckbill sleeves only

Outlet (i.d.) .75"
 Inlet (i.d.) 1"
 Length 2.25"
 Tube (o.d.) 1.35"
 Flange (o.d.) 1.70"

Specifications

Flow Max. 80 psi
 Check Max. 50 psi
 Crack psi < 1 psi
 Drop psi < 5 psi
 Cv 16



NOTE: It is the responsibility of the user to determine suitability of sleeve material for any particular control application.

1 1/4" Duckbill Check Valves

Description

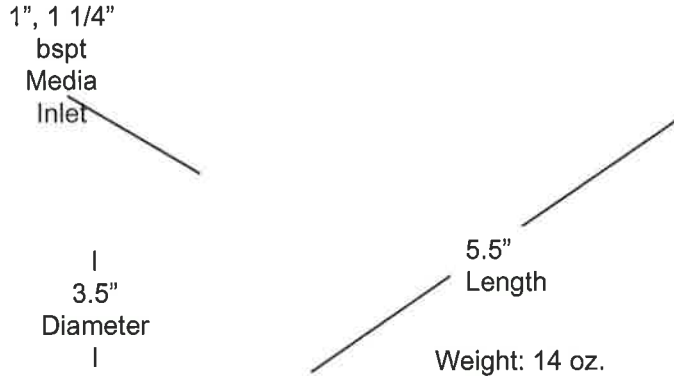
AC - 10 - NF - B60 - 0808 - N
 FG E60 1010 P
 E25
 V65

1 1/4" Duckbill sleeves only

Outlet (i.d.) 1"
 Inlet (i.d.) 1.25"
 Length 2.65"
 Tube (o.d.) 1.65"
 Flange (o.d.) 2.675"

Specifications

Flow Max. 80 psi
 Check Max. 50 psi
 Crack psi < 1 psi
 Drop psi < 5 psi
 Cv 19



Larger check valves (up to 4") available- consult factory

NOTE: It is the responsibility of the user to determine suitability of sleeve material for any particular control application.

1/4" Check Valves

Specifications:

Media Inlet: .25" (02) or .375 (03)
 Media Outlet: .25" (02) or .375 (03)
 Valve Length: 3.55"
 Valve Diameter: 1.25"



AP-6417	\$28.30	AC-02-NF-B60-0202-N
AP-6416	\$28.30	AC-02-NF-B60-0202-P
AP-6903	\$36.30	AC-02-NF-B60-0202-QCP
AP-6543	\$28.30	AC-02-NF-B60-0303-N
AP-6536	\$28.30	AC-02-NF-B60-0303-P
AP-6906	\$36.30	AC-02-NF-B60-0303-QCP
AP-6418	\$28.30	AC-02-NF-E60-0202-N
AP-6190	\$28.30	AC-02-NF-E60-0202-P
AP-6904	\$36.30	AC-02-NF-E60-0202-QCP
AP-6544	\$28.30	AC-02-NF-E60-0303-N
AP-6537	\$28.30	AC-02-NF-E60-0303-P
AP-6907	\$36.30	AC-02-NF-E60-0303-QCP
AP-6419	\$44.00	AC-02-NF-V65-0202-N
AP-6191	\$44.00	AC-02-NF-V65-0202-P
AP-6905	\$52.00	AC-02-NF-V65-0202-QCP
AP-6545	\$44.00	AC-02-NF-V65-0303-N
AP-6538	\$44.00	AC-02-NF-V65-0303-P
AP-6908	\$52.00	AC-02-NF-V65-0303-QCP

5/8" Check Valves

Specifications:

Media Inlet: .5" (04) or .75" (06)
 Media Outlet: .5" (04) or .75" (06)
 Valve Length: 4.00"
 Valve Diameter: 2.25"



AP-6423	\$66.00	AC-05-NF-B60-0606-N
AP-6236	\$66.00	AC-05-NF-B60-0606-P
AP-6678	\$66.00	AC-05-NF-E60-0404-P
AP-6424	\$66.00	AC-05-NF-E60-0606-N
AP-6235	\$66.00	AC-05-NF-E60-0606-P
AP-6425	\$96.00	AC-05-NF-V65-0606-N
AP-6237	\$96.00	AC-05-NF-V65-0606-P

Check Valve Replacement Elements



AP-6231	\$5.30	AC-E-02-NF-B60
AP-6192	\$5.30	AC-E-02-NF-E60
AP-6467		AC-E-02-NF-I60
AP-6193	\$21.00	AC-E-02-NF-V65
AP-6530	\$28.00	AC-E-05-FG-B60
AP-6531	\$28.00	AC-E-05-FG-E60
AP-6233	\$18.00	AC-E-05-NF-B60
AP-6232	\$18.00	AC-E-05-NF-E60
AP-6234	\$38.00	AC-E-05-NF-V65
AP-6550	\$2.75	AC-S-02-NF-B60
AP-6551	\$2.75	AC-S-02-NF-E60
AP-6552	\$5.00	AC-S-02-NF-V65
AP-6553	\$5.00	AC-S-05-NF-B60
AP-6554	\$5.00	AC-S-05-NF-E60
AP-6555	\$17.70	AC-S-05-NF-V65

Check Valve Replacement Cap Seals

1" Check Valves

Specifications:

Media Inlet: 1" (08)
 Media Outlet: 1" (08)
 Valve Length: 5.5"
 Valve Diameter: 3.5"

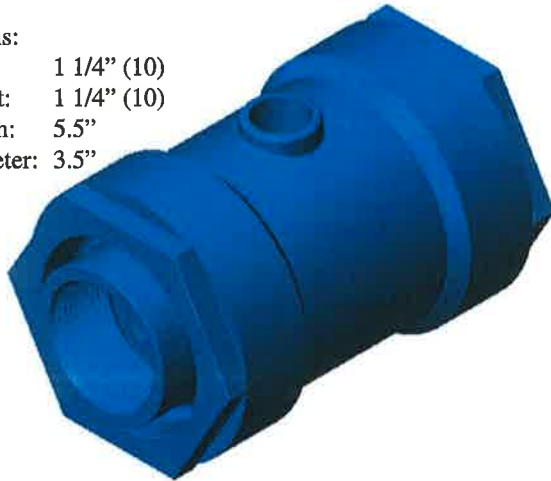


AP-6740	\$114.00	AC-08-NF-B60-0808-N
AP-6745	\$114.00	AC-08-NF-B60-0808-P
AP-6741	\$114.00	AC-08-NF-E60-0808-N
AP-6746	\$114.00	AC-08-NF-E60-0808-P
AP-6742	\$174.00	AC-08-NF-V65-0808-N
AP-6747	\$174.00	AC-08-NF-V65-0808-P

1 1/4" Check Valves

Specifications:

Media Inlet: 1 1/4" (10)
 Media Outlet: 1 1/4" (10)
 Valve Length: 5.5"
 Valve Diameter: 3.5"



AP-6758	\$114.00	AC-10-NF-B60-1010-N
AP-6763	\$114.00	AC-10-NF-B60-1010-P
AP-6677	\$114.00	AC-10-NF-E60-0808-P
AP-6759	\$114.00	AC-10-NF-E60-1010-N
AP-6764	\$114.00	AC-10-NF-E60-1010-P
AP-6760	\$174.00	AC-10-NF-V65-1010-N
AP-6765	\$174.00	AC-10-NF-V65-1010-P

Check Valve Replacement Elements



AP-6704	\$40.00	AC-E-08-NF-B60
AP-6753	\$40.00	AC-E-08-NF-E60
AP-6754	\$88.00	AC-E-08-NF-V65
AP-6699	\$40.00	AC-E-10-NF-B60
AP-6698	\$40.00	AC-E-10-NF-E60
AP-6708	\$88.00	AC-E-10-NF-V65
AP-6755	\$7.00	AC-S-08-NF-B60
AP-6756	\$7.00	AC-S-08-NF-E60
AP-6757	\$19.00	AC-S-08-NF-V65

Check Valve Replacement Cap Seals

AP-6773	\$7.00	AC-S-10-NF-B60
AP-6774	\$7.00	AC-S-10-NF-E60
AP-6775	\$18.00	AC-S-10-NF-V65