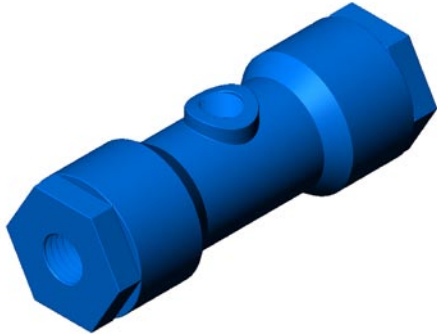


1/4" Check Valves

Specifications:

Media Inlet: .25" (02) or .375 (03)
 Media Outlet: .25" (02) or .375 (03)
 Valve Length: 3.55"
 Valve Diameter: 1.25"

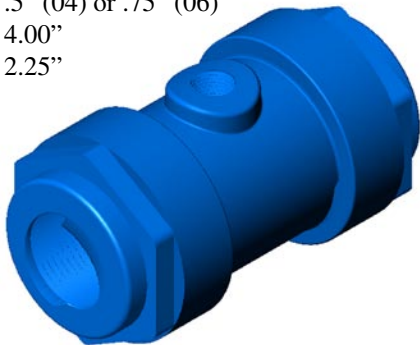


AP-6417	\$28.30	AC-02-NF-B60-0202-N
AP-6416	\$28.30	AC-02-NF-B60-0202-P
AP-6903	\$36.30	AC-02-NF-B60-0202-QCP
AP-6543	\$28.30	AC-02-NF-B60-0303-N
AP-6536	\$28.30	AC-02-NF-B60-0303-P
AP-6906	\$36.30	AC-02-NF-B60-0303-QCP
AP-6418	\$28.30	AC-02-NF-E60-0202-N
AP-6190	\$28.30	AC-02-NF-E60-0202-P
AP-6904	\$36.30	AC-02-NF-E60-0202-QCP
AP-6544	\$28.30	AC-02-NF-E60-0303-N
AP-6537	\$28.30	AC-02-NF-E60-0303-P
AP-6907	\$36.30	AC-02-NF-E60-0303-QCP
AP-6419	\$44.00	AC-02-NF-V65-0202-N
AP-6191	\$44.00	AC-02-NF-V65-0202-P
AP-6905	\$52.00	AC-02-NF-V65-0202-QCP
AP-6545	\$44.00	AC-02-NF-V65-0303-N
AP-6538	\$44.00	AC-02-NF-V65-0303-P
AP-6908	\$52.00	AC-02-NF-V65-0303-QCP

5/8" Check Valves

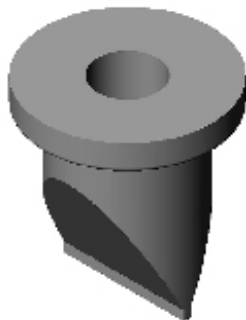
Specifications:

Media Inlet: .5" (04) or .75" (06)
 Media Outlet: .5" (04) or .75" (06)
 Valve Length: 4.00"
 Valve Diameter: 2.25"



AP-6423	\$66.00	AC-05-NF-B60-0606-N
AP-6236	\$66.00	AC-05-NF-B60-0606-P
AP-6678	\$66.00	AC-05-NF-E60-0404-P
AP-6424	\$66.00	AC-05-NF-E60-0606-N
AP-6235	\$66.00	AC-05-NF-E60-0606-P
AP-6425	\$96.00	AC-05-NF-V65-0606-N
AP-6237	\$96.00	AC-05-NF-V65-0606-P

Check Valve Replacement Elements



AP-6231	\$5.30	AC-E-02-NF-B60
AP-6192	\$5.30	AC-E-02-NF-E60
AP-6467		AC-E-02-NF-I60
AP-6193	\$21.00	AC-E-02-NF-V65
AP-6530	\$28.00	AC-E-05-FG-B60
AP-6531	\$28.00	AC-E-05-FG-E60
AP-6233	\$18.00	AC-E-05-NF-B60
AP-6232	\$18.00	AC-E-05-NF-E60
AP-6234	\$38.00	AC-E-05-NF-V65
AP-6550	\$2.75	AC-S-02-NF-B60
AP-6551	\$2.75	AC-S-02-NF-E60
AP-6552	\$5.00	AC-S-02-NF-V65

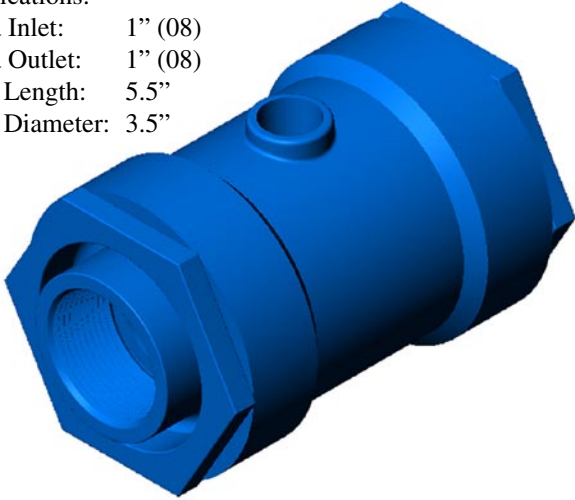
Check Valve Replacement Cap Seals

AP-6553	\$5.00	AC-S-05-NF-B60
AP-6554	\$5.00	AC-S-05-NF-E60
AP-6555	\$17.70	AC-S-05-NF-V65

1" Check Valves

Specifications:

- Media Inlet: 1" (08)
- Media Outlet: 1" (08)
- Valve Length: 5.5"
- Valve Diameter: 3.5"

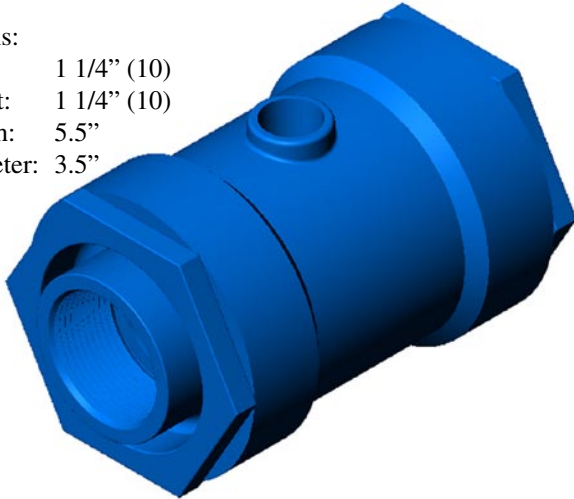


AP-6740	\$114.00	AC-08-NF-B60-0808-N
AP-6745	\$114.00	AC-08-NF-B60-0808-P
AP-6741	\$114.00	AC-08-NF-E60-0808-N
AP-6746	\$114.00	AC-08-NF-E60-0808-P
AP-6742	\$174.00	AC-08-NF-V65-0808-N
AP-6747	\$174.00	AC-08-NF-V65-0808-P

1 1/4" Check Valves

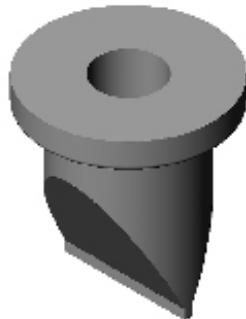
Specifications:

- Media Inlet: 1 1/4" (10)
- Media Outlet: 1 1/4" (10)
- Valve Length: 5.5"
- Valve Diameter: 3.5"



AP-6758	\$114.00	AC-10-NF-B60-1010-N
AP-6763	\$114.00	AC-10-NF-B60-1010-P
AP-6677	\$114.00	AC-10-NF-E60-0808-P
AP-6759	\$114.00	AC-10-NF-E60-1010-N
AP-6764	\$114.00	AC-10-NF-E60-1010-P
AP-6760	\$174.00	AC-10-NF-V65-1010-N
AP-6765	\$174.00	AC-10-NF-V65-1010-P

Check Valve Replacement Elements



AP-6704	\$40.00	AC-E-08-NF-B60
AP-6753	\$40.00	AC-E-08-NF-E60
AP-6754	\$88.00	AC-E-08-NF-V65
AP-6699	\$40.00	AC-E-10-NF-B60
AP-6698	\$40.00	AC-E-10-NF-E60
AP-6708	\$88.00	AC-E-10-NF-V65
AP-6755	\$7.00	AC-S-08-NF-B60
AP-6756	\$7.00	AC-S-08-NF-E60
AP-6757	\$19.00	AC-S-08-NF-V65

Check Valve Replacement Cap Seals

AP-6773	\$7.00	AC-S-10-NF-B60
AP-6774	\$7.00	AC-S-10-NF-E60
AP-6775	\$18.00	AC-S-10-NF-V65